

memo

Pricelist
2023
Q2
Kino

memo

Finishes

Memo offers a range of proprietary colors and finishes on select materials, as well as support for a broad range of open line laminates and solid surface. Our finishes have been curated to offer a foundation of essential base neutrals, to which accents and stronger colors can be added.

Memo offers finish and pattern selections in the following materials:

Forbo Furniture Linoleum

Memo offers Forbo furniture-grade linoleum on select products. Forbo is a durable surface material, available in a dynamic range of colors. Derived from solidified Linseed Oil and other natural fillers such as cork and wood dust, Forbo is a sustainable and resilient surface choice.

Metal Powder Coat

Our powder coats are applied to both steel and aluminum, and are available in textured and smooth finishes. Powder coating is extremely durable and emits zero pollutants once cured.

Natural Stone

Memo offers natural stone on select table and horizontal surface tops. Our stone is hand selected from the highest quality slabs however natural variances will occur from product to product.

Solid Surface

Memo offers Corian and Wilsonart solid surface options on certain products. Solid Surface, is a non-porous high durability product that is stain resistant, easy to clean, and easily repairable.

Wood & Veneer

Our products utilize both solid wood and wood veneer, and are offered in either Ash, Beech or Walnut depending on the product. Products with edge profiles will include a matching wood edge. Wood products are finished in a resilient, long lasting, conversion varnish.

Memo Colors and Finishes

Metal Powder Coat

Steel Gray Gloss	MSG
Med Bronze Gloss	MMB
Black Texture	MBT
Silver Metallic Gloss	MSM
Yellow Leaf Gloss	MYL
Copper Red Matte	MCR
Sage Green Matte	MGG
Navy Blue Matte	MNB

Natural Stone

White Gray Marble	RWM
-------------------	-----

Solid Surface (Wilsonart)

Black Onyx Mirage	STS-BLS
Hidden Spaces	STS-HIS
Kimberlite	STS-KIS
Yukon Riverstone	STS-YUS

Wood & Veneer

Clear over Ash	WCA
Oak Over Ash	WOA
Gray Over Ash	WGA
Walnut Over Ash	WWA
Clear Over Beech	WCB
Clear Over Walnut	WCW
Navy Painted Wood	WNP

Painted Wood

Blood Orange	PBO
Cashew Yellow	PCY
Cream White	PCW
Dusty Pink	PDP
Forest Green	PFG
Ocean Blue	POB
Stone Gray	PSG

Memo Supported Open-Line Finishes

Corian

Memo offers open line Corian solid surface options on the Prose Collection. For a list of Corian products by grade see page 76.

Forbo Furniture Linoleum

Ash - 4132	FAS
Burgundy - 4154	FBU
Iron - 4178	FIR
Pebble - 4175	FPE
Pewter - 4155	FPW
Powder - 4185	FPO
Smokey Blue - 4179	FSB

Textiles

Graded-in Textiles

Memo has partnered with Camira, Kvadrat, and Maharam to offer graded-in textiles. All graded-in textiles are listed by Pattern Name on page 77 and by Grading Group on page 78. Our Grading Groups and their LIST prices per yard are outlined below. Published product prices, including the cost of Graded-in Textiles, have been calculated by multiplying by the price per yard figures below by the yardage requirements indicated on a given product page.

Grading Group	LIST Price per Yard
1	48
2	59
3	74
4	84
5	95
6	109
7	126
8	144
9	165
10	193
11	228
12	263
13	315
14	389
15	463

Memo is glad to grade in textiles from suppliers other than Camira, Kvadrat, and Maharam per customer requests. A grading fee of \$200 NET per pattern, per product, will apply in such cases. Please contact us to submit grading requests.

When specifying graded-in textiles the projected completion date of your order may exceed our normal lead times due to constraints of the textile supplier. In such instances, Memo will promptly communicate such delays and advise on adjusted lead times.

Textiles are subject to the quality and shipping standards of the provider. Memo assumes no responsibility for defects, color inaccuracies, shortages, wear, or performance of textiles.

Ordering a Textile Sample

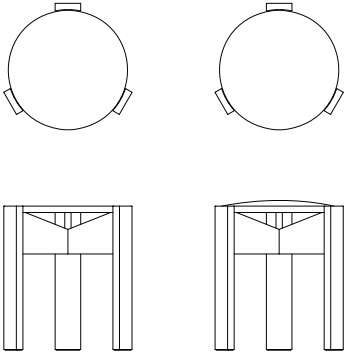
Samples can be ordered by visiting the textile provider's website.

Kino

Stool

Designed by Kensaku Oshiro, 2020

Made in the Canada, Assembled in the USA.



Depth	Width	Height
15.75"	15.75"	17.75 / 18.25"

Core Product	Core Code	List Price
Stool - Ash	KN01-S1-A	641
Stool - Walnut	KN01-S1-W	844

Standard with Core Product

- Glides
- Solid Wood Frame
- Solid Wood Top

Textile Yardage	Seat
Total: .75	.75

List Price by Textile Grade*

	COM / 1	2	3	4	5	6	7	8	9	10	11	12	13	14	15
KN01-S1-A-UTT	906	914	926	933	941	952	965	978	994	1015	1040	1067	1106	1162	1217
KN01-S1-W-UTT	1109	1117	1129	1136	1144	1155	1168	1181	1197	1218	1243	1270	1309	1365	1420

Standard with Core Product

- Non-Marring Glides
- High Resilience Polyurethane Foam

Options and Notes overleaf

Options

	Code	List Price Add
Upholstered Top	UTT	See previous page
Clear Finish (by species)	WCA/WCW	0
Stain Finish - Wood Top	WOA/WWA/WGA/WNP	68

Specifiable Finishes

- Wood Choose from Memo Wood Finishes on Page 7
- Textiles Choose from Camira, Maharam, or Kvadrat textiles on page 74, or contact Memo for assistance with COM fabrics

Notes

For step-by-step specifications and quotes, access our live quote tool online at → [Quotes](#)

Textiles Graded-in sorted by pattern name **Camira**

Pattern Name	Group
Blazer	7
Carragan Flax	10
Era	2
Gravity	2
Main Line Flax	6
Oceanic	6
Quest	3
Rivet	2
Synergy	6

Textiles Graded-in sorted by pattern name **Kvadrat**

Pattern Name	Group
Canvas 2	10
Coda 2	14
Divina MD	11
Divina Melange 3	11
Fiord 2	12
Gentle 2 (Febrik)	15
Hallingdal 65	12
Herald 3	13
Melange Nap	10
Remix 3	8
Re-Wool	10
Steelcut 2	11
Steelcut Trio 3	11
Tonica 2	10
Vidar 4	15

Textiles Graded-in sorted by pattern name **Maharam**

Article		
Article	458600	6
Beck	466570	10
Bluff	466489	9
Bright Angle	466331	13
Bright Cube	466329	13
Bright Grid	466330	13
Brindle	466418	8
Campana	466571	12
Chasm	466404	10
Darning Sampler Plaid	466462	14
Firma	466582	11
Flock	901892	7
Frequency	466504	10
Gemma	466568	11
Gemma Multi	466569	11
Jasper	466563	10
Lariat	440401	5
Ledger	463770	9
Manner	466177	5
Mantle	466517	7
Meld	466387	5
Merit	458600	6
Messenger	458640	5
Metaphor	466553	4
Metric	466014	5
Mode	466337	5
Murmur	466446	5
Muse	466487	3
Nico	466564	8
Pare	466359	10
Willow	466542	9

Textiles Graded-in sorted by Grading Group: **Camira**

Group & Price/yard	Pattern Name
Group 1 48	
Group 2 59	Era
	Gravity
	Rivet
Group 3 74	Quest
Group 4 84	
Group 5 95	
Group 6 109	Main Line Flax
	Oceanic
	Synergy
Group 7 126	Blazer
Group 8 144	
Group 9 165	
Group 10 193	Craggan Flax

Textiles Graded-in sorted by Grading Group: **Kvadrat**

Group & Price/yard	Pattern Name
Group 1 48	
Group 2 59	
Group 3 74	
Group 4 84	
Group 5 95	
Group 6 109	
Group 7 126	
Group 8 144	Remix 3
Group 9 165	
Group 10 193	Canvas 2
	Melange Nap
	Re-wool
	Tonica 2
Group 11 228	Divina MD
	Divina Melange 3
	Steelcut 2
	Steelcut Trio 3
Group 12 263	Fiord 2
	Hallingdal 65
Group 13 315	Harald 3
Group 14 389	Coda 2
Group 15 463	Gentle 2 (Febrik)
	Vidar 4

Textiles Graded-in sorted by Grading Group: **Maharam**

Group & Price/yard	Pattern Name	Number
Group 1 48		
Group 2 59		
Group 3 74	Muse	466487
Group 4 84	Metaphor	466553
Group 5 95	Manner	466177
	Messenger	458640
	Metric	466014
	Murmur	466446
Group 6 109	Article	458600
	Merit	458600
Group 7 126	Flock	901892
	Mantle	466517
Group 8 144	Brindle	466418
	Nico	466564
Group 9 165	Bluff	466489
	Ledger	463770
	Willow	466542
Group 10 193	Beck	466570
	Chasm	466404
	Frequency	466504
	Jasper	466563
	Pare	466359
Group 11 228	Firma	466582
	Gemma	466568
	Gemma Multi	466569
Group 12 263	Campana	466571
Group 13 315	Bright Angle	466331
	Bright Cube	466329
	Bright Grid	466330
Group 14 389	Darning Sampler Plaid	466462