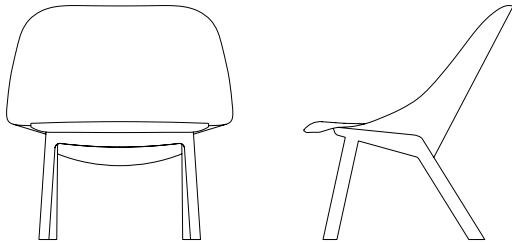


memo

Penna
2025 / Q2

memo

Penna
Lounge
Designed by Studio Gorm, 2019
Made in the USA.



Depth Width Height
32" 25.5" 30"

| | |
|-----------------|-----------|
| Core Product | Core Code |
| Lounge - Ash | SG01-01-A |
| Lounge - Walnut | SG01-01-W |

| | | | |
|-----------------|------|------|------|
| Textile Yardage | Seat | Back | Arms |
| Total: 2.5 | .75 | 1.75 | n/a |

List Price by Textile Grade*

| | | | | | | | | | | | | | | | |
|-----------|---------|------|------|------|------|------|------|------|------|------|------|------|------|------|------|
| | COM / 1 | 2 | 3 | 4 | 5 | 6 | 7 | 8 | 9 | 10 | 11 | 12 | 13 | 14 | 15 |
| SG01-01-A | 2753 | 2780 | 2808 | 2830 | 2858 | 2893 | 2935 | 2980 | 3033 | 3103 | 3190 | 3278 | 3408 | 3593 | 3778 |
| SG01-01-W | 4265 | 4292 | 4320 | 4342 | 4370 | 4405 | 4447 | 4492 | 4545 | 4615 | 4702 | 4790 | 4920 | 5105 | 5290 |

*Pricing assumes a single textile selection for seat and back. For multiple textiles please visit [Quotes](#)

Standard with Core Product
Non-Marring Glides
High Resilience Polyurethane Foam

Options

| Component | Code | List Price Add |
|-------------------------------|---------|----------------|
| Multiple Textiles (Seat/Back) | TA | 140 |
| Stain Finish on Base | WOA/WBA | 54 |
| | WWA | 90 |
| | WGA/WNP | 126 |

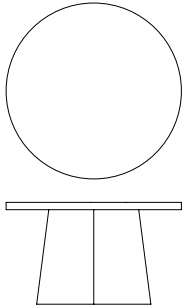
Specifiable Finishes

Textiles Choose from Camira, Designtex, Kvadrat, or Maharam textiles on page 80, or contact Memo for assistance with COM
Wood Choose from Memo Wood Finishes on page 7

Notes

Multiple Textile option allows for separate seat and back textiles
For step-by-step specifications and quotes, access our live quote tool on our website.

Penna
Large Round Table
Designed by Studio Gorm, 2019
Made in the USA.



| Depth | Width | Height |
|-------|-------|--------|
| 30" | 30" | 17.5" |

| Core Product | Core Code | List Price |
|----------------------------|-----------|------------|
| Large Round Table - Ash | SG01-T1-A | 2322 |
| Large Round Table - Walnut | SG01-T1-W | 2543 |

Standard with Core Product
Glides
Forbo Linoleum Top
Solid Wood Edge Band (finish to match base)
Wood Veneer Base

Options

| Component | Code | List Price Add |
|-------------------------------|---------|----------------|
| Forbo Linoleum Top | FTT | 0 |
| Wood Veneer Top (Ash) | VTA | 171 |
| Wood Veneer Top (Walnut) | VTW | 257 |
| Ash with Stain Finish | WOA/WBA | 100 |
| | WWA | 110 |
| | WGA/WNP | 120 |
| Power Module (2-power, 2-USB) | PM1 | 361 |

Specifiable Finishes

Linoleum Choose from Forbo linoleum products on page 7
Wood Choose from Memo Wood Finishes on page 7

Notes

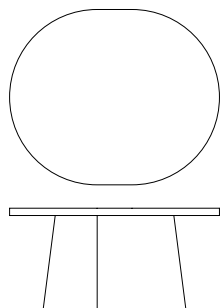
For step-by-step specifications and quotes, access our live quote tool on our website.

Penna

Obround Table

Designed by Studio Gorm, 2019

Made in the USA.



| Depth | Width | Height |
|-------|-------|--------|
| 30" | 36" | 17.5" |

| Core Product | Core Code | List Price |
|------------------------|-----------|------------|
| Obround Table - Ash | SG01-T2-A | 2478 |
| Obround Table - Walnut | SG01-T2-W | 2709 |

Standard with Core Product

Glides

Forbo Linoleum Top

Solid Wood Edge Band (finish to match base)

Wood Veneer Base

Options

| Component | Code | List Price Add |
|-------------------------------|---------|----------------|
| Forbo Linoleum Top | FTT | 0 |
| Wood Veneer Top (Ash) | VTA | 158 |
| Wood Veneer Top (Walnut) | VTW | 287 |
| Ash with Stain Finish | WOA/WBA | 110 |
| | WWA | 120 |
| | WGA/WNP | 130 |
| Power Module (2-power, 2-USB) | PM1 | 361 |

Specifiable Finishes

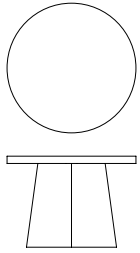
Linoleum Choose from Forbo linoleum products on page 7

Wood Choose from Memo Wood Finishes on page 7

Notes

For step-by-step specifications and quotes, access our live quote tool on our website.

Penna
Small Round Table
Designed by Studio Gorm, 2019
Made in the USA.



| Depth | Width | Height |
|-------|-------|--------|
| 22.5" | 22.5" | 16" |

| Core Product | Core Code | List Price |
|----------------------------|-----------|------------|
| Small Round Table - Ash | SG01-T3-A | 2060 |
| Small Round Table - Walnut | SG01-T3-W | 2260 |

Standard with Core Product
Glides
Forbo Linoleum Top
Solid Wood Edge Band (finish to match base)
Wood Veneer Base

Options

| Component | Code | List Price Add |
|------------------------------|---------|----------------|
| Forbo Linoleum Top | FTT | 0 |
| Wood Veneer Top (Ash) | VTA | 141 |
| Wood Veneer Top (Walnut) | VTW | 186 |
| Ash with Stain Finish | WOA/WBA | 90 |
| | WWA | 100 |
| | WGA/WNP | 110 |
| PowerModule (2-power, 2-USB) | PM1 | 361 |

Specifiable Finishes

Linoleum Choose from Forbo linoleum products on page 7
Wood Choose from Memo Wood Finishes on page 7

Notes

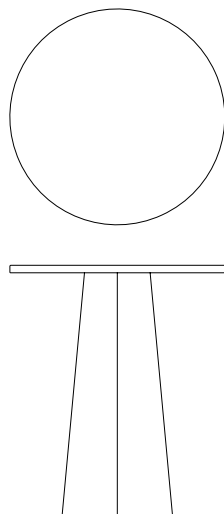
For step-by-step specifications and quotes, access our live quote tool on our website.

Penna

Bar Table

Designed by Studio Gorm, 2020

Made in the USA.



| Depth | Width | Height |
|-------|-------|--------|
| 36" | 36" | 42" |

| Core Product | Core Code | List Price |
|--------------------|---------------|------------|
| Bar Table - Ash | SG01-T8-36D-A | 3806 |
| Bar Table - Walnut | SG01-T8-36D-W | 4015 |

Standard with Core Product

Glides

Forbo Linoleum Top

Solid Wood Edge Band (finish to match base)

Wood Veneer Base

Options

| Component | Code | List Price Add |
|-------------------------------|---------|----------------|
| Forbo Linoleum Top | FTT | 0 |
| Wood Veneer Top (Ash) | VTA | 234 |
| Wood Veneer Top (Walnut) | VTW | 305 |
| Ash with Stain Finish | WOA/WBA | 110 |
| | WWA | 130 |
| | WGA/WNP | 150 |
| Power Module (2-power, 2-USB) | PM1 | 361 |

Specifiable Finishes

Linoleum Choose from Forbo linoleum products on page 7

Wood Choose from Memo Wood Finishes on page 7

Notes

Bases ship with sandbags in certain models, for ballast

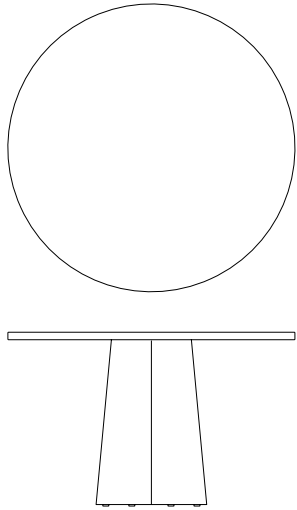
For step-by-step specifications and quotes, access our live quote tool on our website.

Penna

Café Table

Designed by Studio Gorm, 2020

Made in the USA.



| Depth | Width | Height |
|-------|-------|--------|
| 48" | 48" | 29" |

| Core Product | Core Code | List Price |
|---------------------|---------------|------------|
| Café Table - Ash | SG01-T6-48D-A | 3898 |
| Café Table - Walnut | SG01-T6-48D-W | 4194 |

Standard with Core Product

Glides

Forbo Linoleum Top

Solid Wood Edge Band (finish to match base)

Wood Veneer Base

Options

| Component | Code | List Price Add |
|-------------------------------|---------|----------------|
| Forbo Linoleum Top | FTT | 0 |
| Wood Veneer Top (Ash) | VTA | 249 |
| Wood Veneer Top (Walnut) | VTW | 317 |
| Ash with Stain Finish | WOA/WBA | 100 |
| | WWA | 120 |
| | WGA/WNP | 140 |
| Power Module (2-power, 2-USB) | PM1 | 361 |

Specifiable Finishes

Linoleum Choose from Forbo linoleum products on page 7

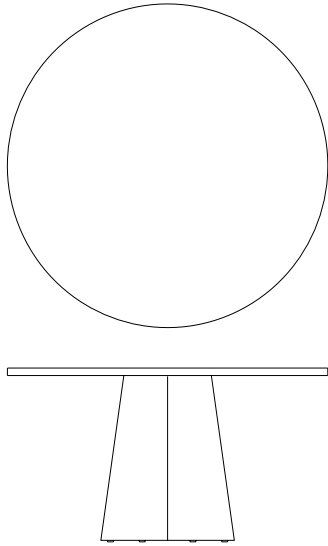
Wood Choose from Memo Wood Finishes on page 7

Notes

Bases ship with sandbags in certain models, for ballast

For step-by-step specifications and quotes, access our live quote tool on our website.

Penna
Meeting Table
Designed by Studio Gorm, 2020
Made in the USA.



| | | |
|-------|-------|--------|
| Depth | Width | Height |
| 54" | 54" | 29" |

| Core Product | Core Code | List Price |
|------------------------|---------------|------------|
| Meeting Table - Ash | SG01-T7-54D-A | 3980 |
| Meeting Table - Walnut | SG01-T7-54D-W | 4331 |

Standard with Core Product

- Glides
- Forbo Linoleum Top
- Solid Wood Edge Band (finish to match base)
- Wood Veneer Base

Options

| Component | Code | List Price Add |
|-------------------------------|---------|----------------|
| Forbo Linoleum Top | FTT | 0 |
| Wood Veneer Top (Ash) | VTA | 296 |
| Wood Veneer Top (Walnut) | VTW | 400 |
| Ash with Stain Finish | WOA/WBA | 100 |
| | WWA | 120 |
| | WGA/WNP | 140 |
| Power Module (2-power, 2-USB) | PM1 | 3 |

Specifiable Finishes

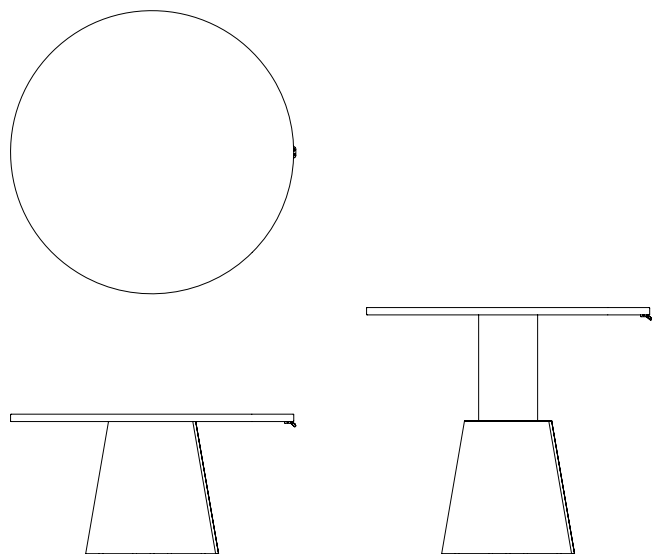
- Linoleum Choose from Forbo linoleum products on page 7
- Wood Choose from Memo Wood Finishes on page 7

Notes

Bases ship with sandbags in certain models, for ballast

For step-by-step specifications and quotes, access our live quote tool on our website.

Penna
Height Adjustable Café Table
Designed by Studio Gorm, 2020
Made in the USA.



| | | |
|-------|-------|-----------|
| Depth | Width | Height |
| 48" | 48" | 24" - 42" |

| Core Product | Core Code | List Price |
|---------------------|----------------------|------------|
| Café Table - Ash | SG01-T6-HAT-48D-A-MA | 7443 |
| Café Table - Walnut | SG01-T6-HAT-48D-W-MA | 7849 |

Standard with Core Product
Glides
Forbo Linoleum Top
Solid Wood Edge Band (finish to match base)
Wood Veneer Base

Options

| Component | Code | List Price Add |
|---------------------------------|-----------------------------|----------------|
| Forbo Linoleum Top | FTT | 0 |
| Wood Veneer Top (Ash) | VTA | 254 |
| Wood Veneer Top (Walnut) | VTW | 332 |
| Ash with Stain Finish | WOA/WBA | 160 |
| | WWA | 180 |
| | WGA/WNP | 200 |
| Adjustable Height Column Shroud | PEW/PCY/PFG/POB/PBO/PSG/PDP | 0 |

Specifiable Finishes and Notes overleaf

Specifiable Finishes

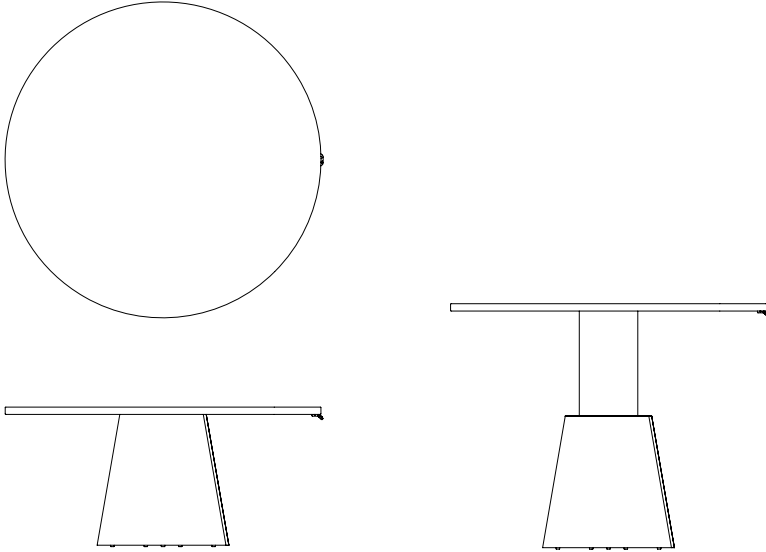
- Linoleum Choose from Forbo linoleum products on page 7
- Wood Choose from Memo Wood Finishes on page 7
- Painted Wood PEW/PCY/PFG/POB/PBO/PSG/PDP

Notes

Bases ship with sandbags in certain models, for ballast

For step-by-step specifications and quotes, access our live quote tool on our website.

Penna
Height Adjustable Meeting Table
Designed by Studio Gorm, 2020
Made in the USA.



| | | |
|-------|-------|-----------|
| Depth | Width | Height |
| 54" | 54" | 24" - 42" |

| Core Product | Core Code | List Price |
|------------------------|----------------------|------------|
| Meeting Table - Ash | SG01-T7-HAT-54D-A-MA | 7482 |
| Meeting Table - Walnut | SG01-T7-HAT-54D-W-MA | 7891 |

Standard with Core Product

- Glides
- Forbo Linoleum Top
- Solid Wood Edge Band (finish to match base)
- Wood Veneer Base

Options

| Component | Code | List Price Add |
|---------------------------------|-----------------------------|----------------|
| Forbo Linoleum Top | FTT | 0 |
| Wood Veneer Top (Ash) | VTA | 254 |
| Wood Veneer Top (Walnut) | VTW | 332 |
| Ash with Stain Finish | WOA/WBA | 160 |
| | WWA | 180 |
| | WGA/WNP | 200 |
| Adjustable Height Column Shroud | PEW/PCY/PFG/POB/PBO/PSG/PDP | 0 |

Specifiable Finishes and Notes overleaf

Specifiable Finishes

- Linoleum Choose from Forbo linoleum products on page 7
- Wood Choose from Memo Wood Finishes on page 7
- Painted Wood PEW/PCY/PFG/POB/PBO/PSG/PDP

Notes

Bases ship with sandbags in certain models, for ballast

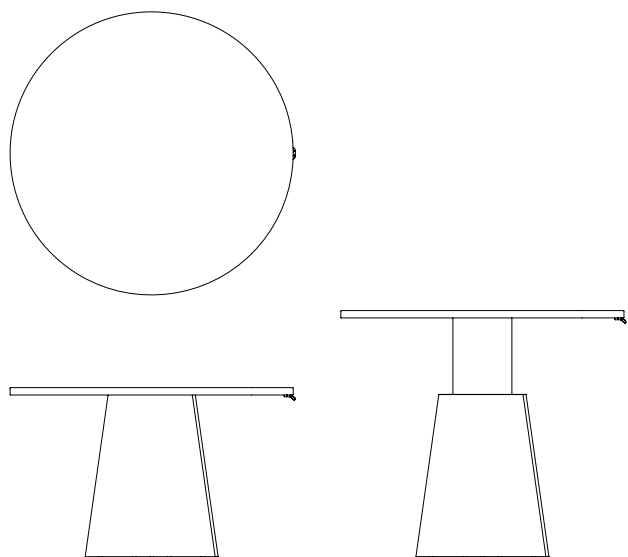
For step-by-step specifications and quotes, access our live quote tool on our website.

Penna

Height Adjustable Café Table

Designed by Studio Gorm, 2020

Made in the USA.



| Depth | Width | Height |
|-------|-------|-----------|
| 48" | 48" | 29" - 42" |

| Core Product | Core Code | List Price |
|---------------------|----------------------|------------|
| Café Table - Ash | SG01-T6-HAT-48D-A-MB | 7550 |
| Café Table - Walnut | SG01-T6-HAT-48D-W-MB | 7917 |

Standard with Core Product

- Glides
- Forbo Linoleum Top
- Solid Wood Edge Band (finish to match base)
- Wood Veneer Base

Options

| Component | Code | List Price Add |
|---------------------------------|-----------------------------|----------------|
| Forbo Linoleum Top | FTT | 0 |
| Wood Veneer Top (Ash) | VTA | 244 |
| Wood Veneer Top (Walnut) | VTW | 380 |
| Ash with Stain Finish | WOA/WBA | 160 |
| | WWA | 180 |
| | WGA/WNP | 200 |
| Adjustable Height Column Shroud | PEW/PCY/PFG/POB/PBO/PSG/PDP | 0 |

Specifiable Finishes and Notes overleaf

Specifiable Finishes

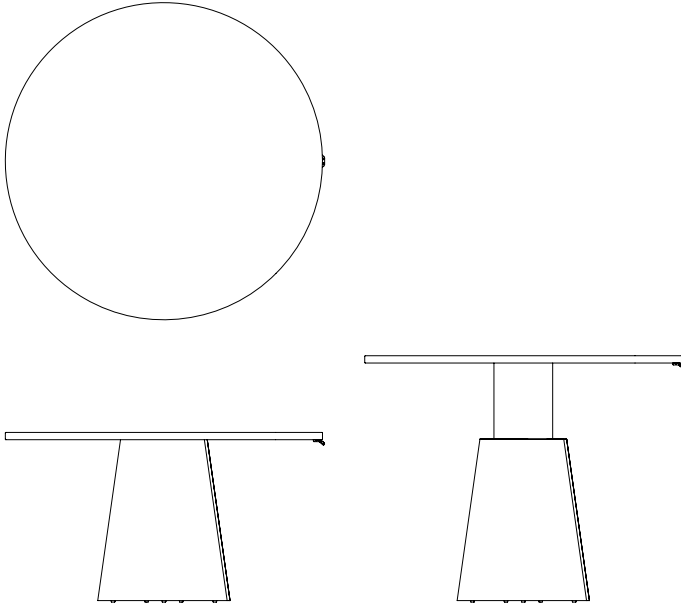
- Linoleum Choose from Forbo linoleum products on page 7
- Wood Choose from Memo Wood Finishes on page 7
- Painted Wood PEW/PCY/PFG/POB/PBO/PSG/PDP

Notes

Bases ship with sandbags in certain models, for ballast

For step-by-step specifications and quotes, access our live quote tool on our website.

Penna
Height Adjustable Meeting Table
Designed by Studio Gorm, 2020
Made in the USA.



| Depth | Width | Height |
|-------|-------|-----------|
| 54" | 54" | 29" - 42" |

| Core Product | Core Code | List Price |
|------------------------|----------------------|------------|
| Meeting Table - Ash | SG01-T7-HAT-54D-A-MB | 7589 |
| Meeting Table - Walnut | SG01-T7-HAT-54D-W-MB | 7959 |

Standard with Core Product

- Glides
- Forbo Linoleum Top
- Solid Wood Edge Band (finish to match base)
- Wood Veneer Base

Options

| Component | Code | List Price Add |
|---------------------------------|-----------------------------|----------------|
| Forbo Linoleum Top | FTT | 0 |
| Wood Veneer Top (Ash) | VTA | 244 |
| Wood Veneer Top (Walnut) | VTW | 380 |
| Ash with Stain Finish | WOA/WBA | 160 |
| | WWA | 180 |
| | WGA/WNP | 200 |
| Adjustable Height Column Shroud | PEW/PCY/PFG/POB/PBO/PSG/PDP | 0 |

Specifiable Finishes and Notes overleaf

Specifiable Finishes

- Linoleum Choose from Forbo linoleum products on page 7
- Wood Choose from Memo Wood Finishes on page 7
- Painted Wood PEW/PCY/PFG/POB/PBO/PSG/PDP

Notes

Bases ship with sandbags in certain models, for ballast

For step-by-step specifications and quotes, access our live quote tool on our website.

Textiles

Graded-in Textiles

Memo has partnered with Camira, Designtex, Kvadrat, and Maharam to offer graded-in textiles. All graded-in textiles are listed by Pattern Name on page 77 and by Grading Group on page 78. Our Grading Groups and their LIST prices per yard are outlined below. Published product prices, including the cost of Graded-in Textiles, have been calculated by multiplying by the price per yard figures below by the yardage requirements indicated on a given product page.

| Grading Group | LIST Price per Yard |
|---------------|---------------------|
| 1 | 53 |
| 2 | 64 |
| 3 | 75 |
| 4 | 84 |
| 5 | 95 |
| 6 | 109 |
| 7 | 126 |
| 8 | 144 |
| 9 | 165 |
| 10 | 193 |
| 11 | 228 |
| 12 | 263 |
| 13 | 315 |
| 14 | 389 |
| 15 | 463 |

Memo is glad to grade in textiles from suppliers other than Camira, Designtex, Kvadrat, and Maharam per customer requests. A grading fee of \$200 NET per pattern, per product, will apply in such cases. Please contact us to submit grading requests.

When specifying graded-in textiles the projected completion date of your order may exceed our normal lead times due to constraints of the textile supplier. In such instances, Memo will promptly communicate such delays and advise on adjusted lead times.

Textiles are subject to the quality and shipping standards of the provider. Memo assumes no responsibility for defects, color inaccuracies, shortages, wear, or performance of textiles.

Ordering a Textile Sample

Samples can be ordered by visiting the textile provider's website.

Textiles Graded-in sorted by pattern name Camira

| Pattern Name | Group |
|----------------|-------|
| Blazer | 8 |
| Carragan Flax | 11 |
| Era | 2 |
| Gravity | 2 |
| Lucia T2T | 5 |
| Main Line Flax | 7 |
| Monochrome Set | 7 |
| Oceanic | 7 |
| Sumi | 7 |
| Synergy | 8 |

Textiles Graded-in sorted by pattern name Kvadrat, cont.

| Pattern Name | Group |
|-----------------|-------|
| Hallingdal 65 | 12 |
| Melange Nap | 11 |
| Re-wool | 10 |
| Remix 3 | 9 |
| Sisu | 14 |
| Steelcut 2 | 11 |
| Steelcut Trio 3 | 11 |
| Tonica 2 | 10 |

Textiles Graded-in sorted by pattern name Designtex

| Pattern Name | Group |
|--------------------|-------|
| Alphabet | 7 |
| Billiard Cloth | 9 |
| Brushed Flannel | 7 |
| Checker | 11 |
| Dovetail | 5 |
| Everywhere Texture | 9 |
| Gamut | 5 |
| Hashtag | 8 |
| Microweed | 10 |
| Overtone | 5 |
| Rein | 6 |
| Rocket | 7 |
| Tour | 7 |
| Tweedy Twill | 6 |
| Woolish | 7 |

Textiles Graded-in sorted by pattern name Maharam

| | | |
|-----------------------|--------|----|
| Arlo | 466598 | 8 |
| Article | 458600 | 6 |
| Beck | 466570 | 10 |
| Brindle | 466418 | 8 |
| Campana | 466571 | 12 |
| Chapter | 466610 | ?? |
| Compound | 466196 | 10 |
| Darning Sampler Plaid | 466462 | 15 |
| Felix | 466625 | 12 |
| Firma | 466582 | 12 |
| Gemma | 466568 | 12 |
| Gemma Multi | 466569 | 12 |
| Hearth | 466536 | 13 |
| Isa | 466624 | 12 |
| Jasper | 466563 | 10 |
| Lariat | 440401 | 4 |
| Manner | 466177 | 5 |
| Mantle | 466517 | 8 |
| Meld | 466387 | 5 |
| Merit | 458600 | 6 |
| Messenger | 458640 | 5 |
| Metaphor | 466553 | 5 |
| Metric | 466014 | 5 |
| Method | 466579 | 5 |
| Mode | 466337 | 6 |
| Murmur | 466446 | 5 |
| Muse | 466487 | 4 |
| Nico | 466564 | 9 |
| Nova | 466620 | 15 |
| Province | 466549 | 12 |

Textiles Graded-in sorted by pattern name Kvadrat

| Pattern Name | Group |
|------------------|-------|
| Arda (Febrik) | 13 |
| Canvas 2 | 10 |
| Coda 2 | 13 |
| Divina MD | 11 |
| Divina Melange 3 | 11 |

Textiles Graded-in sorted by Grading Group: Camira

| Group & Price/yard | Pattern Name |
|--------------------|---|
| Group 1 53 | |
| Group 2 64 | Era |
| Group 3 75 | Gravity |
| Group 4 84 | |
| Group 5 95 | Lucia T2T |
| Group 6 109 | |
| Group 7 126 | Main Line FLax Monochrome Set Oceanic Sumi |
| Group 8 144 | Blazer Synergy |
| Group 9 165 | |
| Group 10 193 | |
| Group 11 228 | Craggen FLax |

Textiles Graded-in sorted by Grading Group: Kvadrat

| Group & Price/yard | Pattern Name |
|--------------------|---|
| Group 1 53 | |
| Group 2 64 | |
| Group 3 75 | |
| Group 4 84 | |
| Group 5 95 | |
| Group 6 109 | |
| Group 7 126 | |
| Group 8 144 | |
| Group 9 165 | Remix 3 |
| Group 10 193 | Canvas 2 Re-wool Tonica 2 |
| Group 11 228 | Divina MD Divina Melange 3 Melange Nap Steelcut 2 Steelcut Trio 3 |
| Group 12 263 | Hallingdal 65 |
| Group 13 315 | Arda Coda 2 |
| Group 14 | Sisu |

Textiles Graded-in sorted by Grading Group: Designtex

| Group & Price/yard | Pattern Name |
|--------------------|--------------------------------------|
| Group 1 53 | |
| Group 2 64 | |
| Group 3 75 | |
| Group 4 84 | |
| Group 5 95 | Dovetail Gamut Overtone |
| Group 6 109 | Tweedy Twill |
| Group 7 126 | Brushed Flannel Rocket Woolish |
| Group 8 144 | Hashtag |
| Group 9 165 | Billiard Cloth Everywhere Texture |
| Group 10 193 | Microtweed |
| Group 11 228 | Checker |

Textiles Graded-in sorted by Grading Group: Maharam

| | | | |
|----------|-----|-----------------------|--------|
| Group 1 | 53 | | |
| Group 2 | 64 | | |
| Group 3 | 75 | | |
| Group 4 | 84 | Lariat | 440401 |
| | | Muse | 466487 |
| Group 5 | 95 | Manner | 466177 |
| | | Meld | 466387 |
| | | Messenger | 458640 |
| | | Metaphor | 466553 |
| | | Method | 466579 |
| | | Metric | 466014 |
| | | Murmur | 466446 |
| Group 6 | 109 | Article | 458600 |
| | | Merit | 458600 |
| | | Mode | 466337 |
| Group 7 | 126 | | |
| Group 8 | 144 | Arlo | 466598 |
| | | Brindle | 466418 |
| | | Mantle | 466517 |
| Group 9 | 165 | Nico | 466564 |
| Group 10 | 193 | Beck | 463770 |
| | | Compound | 466196 |
| | | Jasper | 466563 |
| Group 11 | 228 | | |
| Group 12 | 263 | Campana | 466571 |
| | | Felix | 466625 |
| | | Firma | 466582 |
| | | Gemma | 466568 |
| | | Gemma Multi | 466469 |
| | | Isa | 466624 |
| | | Province | 466549 |
| Group 13 | 315 | Chapter | 466610 |
| | | Hearth | 466536 |
| Group 14 | 389 | | |
| Group 15 | 463 | Darning Sampler Plaid | 466462 |
| | | Nova | 466620 |