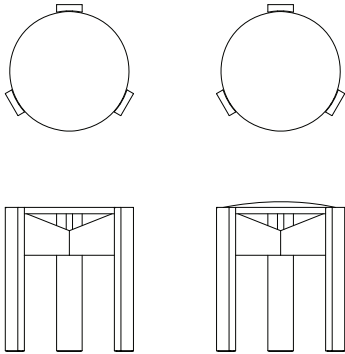


Kino

Stool

Designed by Kensaku Oshiro, 2020



Depth	Width	Height
15.75"	15.75"	17.75 / 18.25"

Core Product	Core Code	List Price
Stool - Ash	KN01-A	752
Stool - Walnut	KN01-W	936

Standard with Core Product

- Glides
- Solid Wood Frame
- Solid Wood Top

Textile Yardage	Seat
Total: .75	.75

List Price by Textile Grade*

	COM	1	2	3	4	5	6	7	8	9	10	11	12	13	14	15
KN01-02-A-UTT	923	962	972	984	992	1003	1012	1027	1045	1064	1087	1115	1144	1204	1252	1345
KN01-02-W-UTT	1067	1106	1116	1128	1136	1147	1156	1171	1189	1208	1231	1259	1288	1348	1396	1489

Standard with Core Product

- Non-Marring Glides
- High Resilience Polyurethane Foam

Options and Notes overleaf

Options

	Code	List Price Add
Upholstered Top	UTT	See previous page
Clear Finish (by species)	WCA/WCW	0
Stain Finish	WOA/WWA	48
Stain Finish	WGA/WNP	87

Specifiable Finishes

- Wood Choose from Memo Wood Finishes on Page 7
- Textiles Choose from Maharam or Kvadrat textiles on page 83, or contact Memo for assistance with COM fabrics

Notes

Pricing includes Freight within Continental US
For step-by-step specifications and quotes, access our live quote tool online at → [Quotes](#)